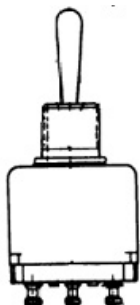




1TW1-2



Actual product appearance may vary.

TW Series Toggle Switch, 1 pole, 2 position, Solder terminal, Standard Lever, Military Part Number MS27716-22-1

Features

- Qualified to MIL-S-83731
- Save space and weight
- SPDT and DPDT circuitry
- Temperature range: -85°F to +160°F (-65°C to +71°C)
- Sealed bushing versions
- Choice of 1/8 in. or 15/32 in. bushing
- Color tab available on 15/32 in. bushing
- UL recognized

Potential Applications

- Industrial machinery and equipment
- Military and commercial aviation
- Construction equipment
- Test instruments
- Agricultural machinery
- Process control
- Medical instrumentation

Description

MICRO SWITCH™ miniature toggle switches in two bushing sizes. Molded-in terminals are plated for soldering. Momentary and maintained circuitry closures available. Special on-on-on circuitries are also available. Pull-to-unlock levers prevent accidental operation.

Product Specifications	
Circuitry/Operating action	<div style="display: flex; justify-content: space-around; align-items: center;"> <div style="text-align: center;"> <p>Keyway Position</p> <p>2 3 OFF</p> </div> <div style="text-align: center;"> <p>Opposite Keyway Position</p> <p>2 3 ON</p> </div> </div>
Product Type	MICRO SWITCH™ Toggle Switch
Ampere/Voltage Range (Resistive Load)	0.1 A to 5.0 A at 0.5 Vac to 115 Vac, 0.1 A to 5.0 A at 0.5 Vdc to 28 Vdc
Circuitry	SPST

Action	2 position
Mounting	Bushing 1/4 in
Termination	Solder
Military Part Number	MS27716-22-1
Lever Type	Standard
UL/CSA Rating Code	L117: 5 A at 125 Vac
Comment	Fine silver contacts
Availability	Global
UNSPSC Code	30211908
UNSPSC Commodity	30211908 Toggle switches
Series Name	TW

1TW1 SERIES
CHART 1

M

DRAWING NUMBER

18

ISSUE

16

REVISIONS

A	C057003	TSK	3 FEB 86
B	C059236	JAP	27 MAR 86
C	C062939	TSK	24 FEB 88
D	C077554	MAM	9 FEB 94

CHECK

6 FEB 86

6 FEB 86

6 FEB 86

6 FEB 86

6 FEB 86

6 FEB 86

6 FEB 86

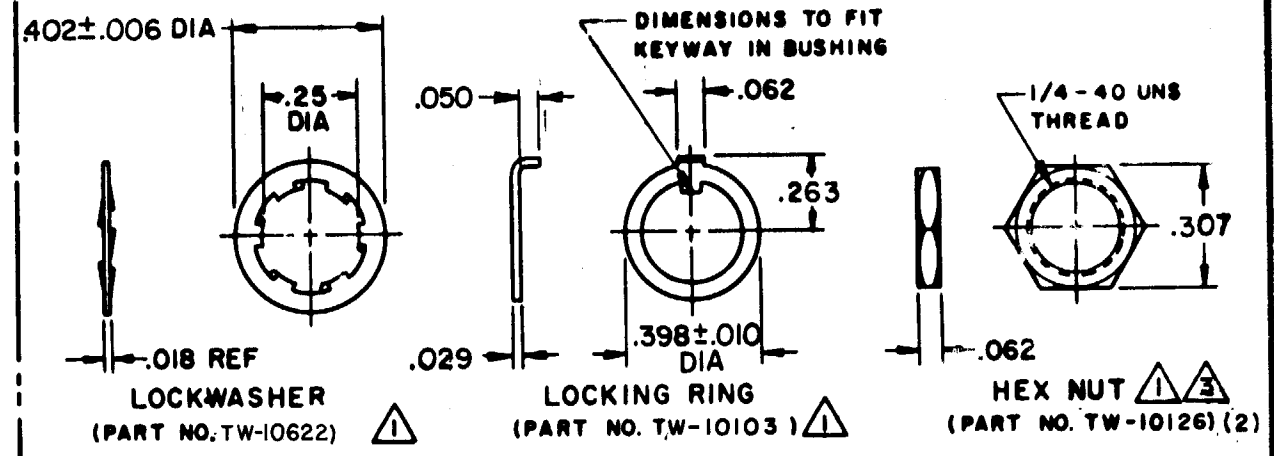
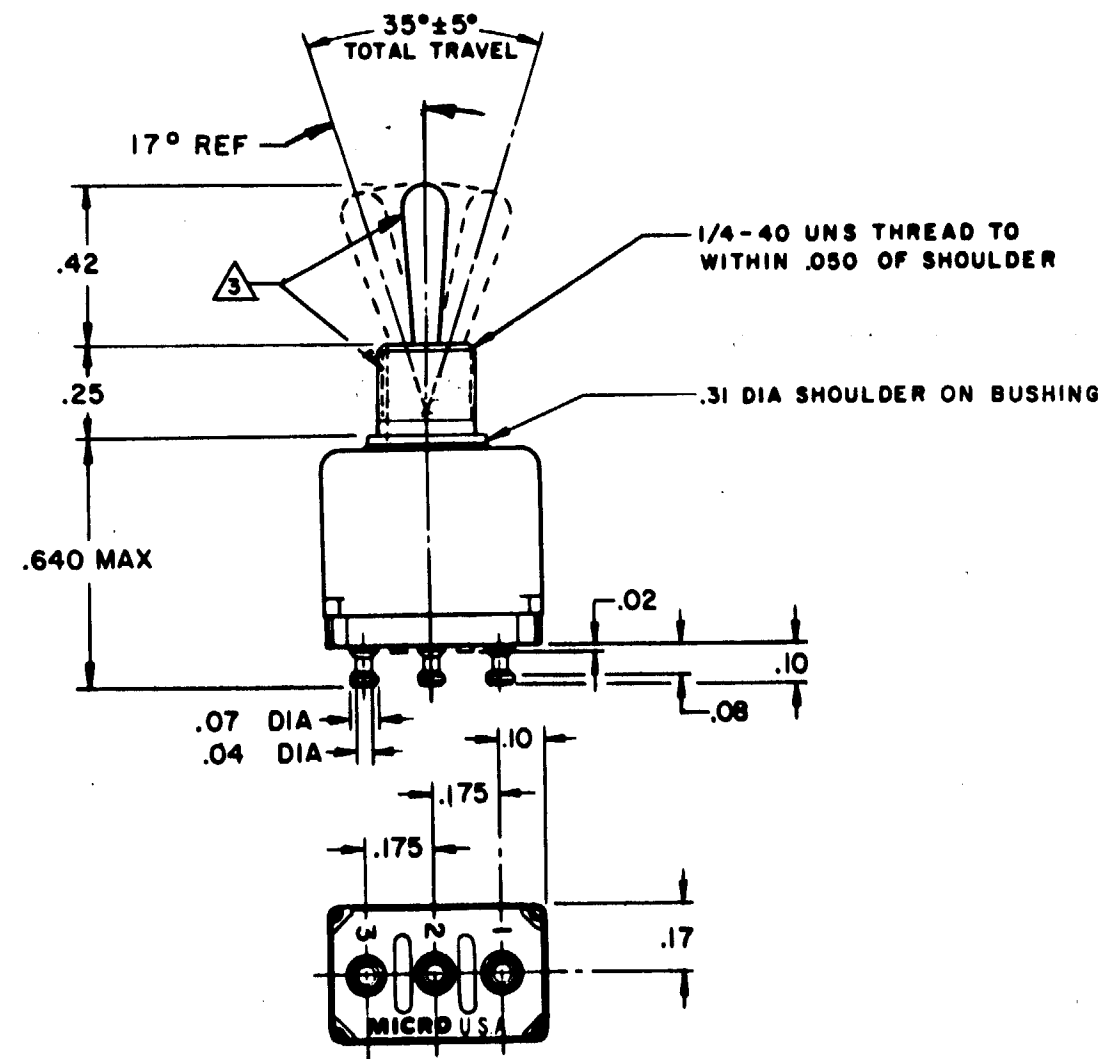
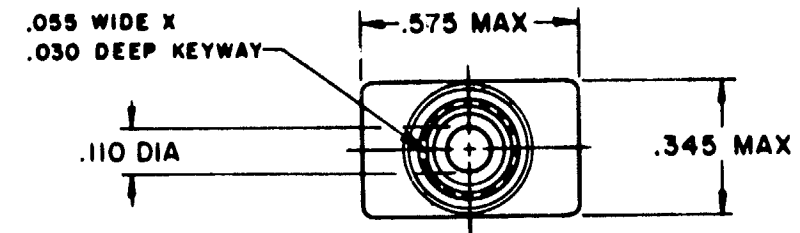
6 FEB 86

6 FEB 86

MICRO SWITCH
FREEPORT, ILLINOIS, U.S.A.
A DIVISION OF HONEYWELL
FED. MFG. CODE 91929

SWITCH-TOGGLE

CATALOG LISTING
1TW1 SERIES
CHART 1 ★



CIRCUIT WITH TOGGLE IN

CATALOG LISTING	ONE EXTREME POSITION (KEYWAY) 2-1	CENTER POSITION	OTHER EXTREME POSITION (OPPOSITE KEYWAY)	
			2-3	MS NO.
1TW1-1	ON	OFF	ON	MS27716-21-1
1TW1-2	OFF	NONE	ON	MS27716-22-1
★ 1TW1-3	ON	NONE	ON	MS27716-23-1
1TW1-5	MOM ON	OFF	ON	MS27716-31-1
★ 1TW1-7	MOM ON	OFF	MOM ON	MS27716-27-1
1TW1-8	MOM ON	NONE	ON	MS27716-26-1
1TW1-82	ON	NONE	MOM ON	

NOTES
 1 FURNISHED UNASSEMBLED
 2 - TERMINALS ARE PLATED FOR SOLDERING
 3 MATTE FINISH

THIS DRAWING COVERS A PROPRIETARY ITEM AND IS THE PROPERTY OF MICRO SWITCH, A DIVISION OF HONEYWELL. THIS DRAWING IS NOT TO BE COPIED OR USED WITHOUT THE APPROVAL OF MICRO SWITCH.

CHARACTERISTICS	ELECTRICAL DATA
	CONTACT ARRANGEMENT
	L117
	5A 125 VAC
	Ⓜ Ⓢ Ⓟ

SCALE 2:1

DO NOT SCALE PRINT

TOLERANCES
 APPLY TO DESIGN UNITS. CONVERSIONS ARE ONLY FOR REFERENCE. UNLESS NOTED, TOLERANCES ARE †

DIM.	TOL.	DIM.	TOL.
mm	mm/in	in	mm/in
NO PLACES	X	1/04	X XX
ONE PLACE	X,X	0.4/016	X XX
TWO PLACES	X,XX	0.15/006	X XXX
THREE PLACES	X,XXX		X XXX
ANGLES			

DESIGN UNITS SI METRIC US CUSTOMARY

THIRD ANGLE PROJECTION

WEIGHT .015 LB MAX

FO-92851-B

DRAWN

3 FEB 86

CHECK

6 FEB 86

6 FEB 86

6 FEB 86

6 FEB 86

6 FEB 86

CHECK

6 FEB 86

6 FEB 86

SR-12479

REPLACES X 35310